



# TITAN HARDWARE INTERNATIONAL

7711 AMIGOS AVE, SUITE C, DOWNEY, CA 90242  
 LOCAL PH 562-803-1695 FAX 562-803-6605  
 EMAIL SALES@TITANHARDWARE.COM

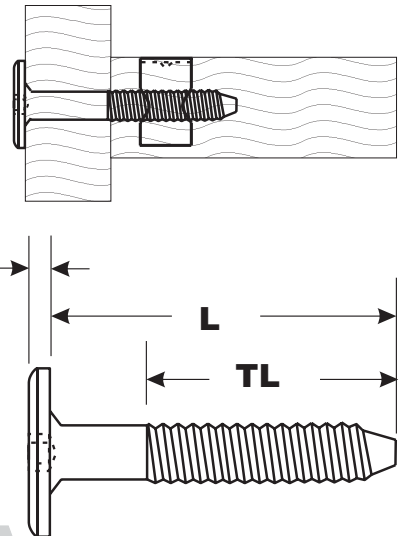
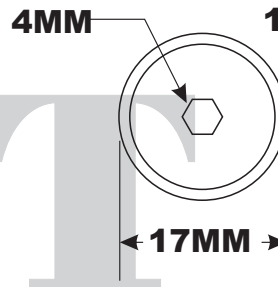
## JC "BB" BOLTS

**MATERIAL** = LOW CARBON STEEL

**AVAILABLE PLATING**

- STAT/BRONZE (SB)
- BLACK OXIDE (BW)
- BRIGHT BRASS (BB)
- ANTIQUUE BRASS (AB)
- DULL BRASS (DB)
- NICKEL (NI)
- ZINC (CZ)
- PLAIN FINISH (RW)

**PLEASE INCLUDE TWO DIGIT  
 CODE AT END OF PART # TO  
 SPECIFY PLATING.**



**JCBB BOLTS** ARE A LOW PROFILE HIGH QUALITY DECORATIVE FASTENER. USED IN CONJUNCTION WITH A DOWEL NUT OR INSERT, THEY FORM AN EXTREMELY STRONG, EASY TO ASSEMBLE JOINT.

| PART NUMBER       | SIZE                    | L | TL   | QTY./CTN | WT./M |
|-------------------|-------------------------|---|------|----------|-------|
| JCBB-FC04-M020-S- | 1/4-20 X 20 MM (0.787") |   | 18MM | 2,400    | 15    |
| JCBB-FC04-M025-S- | 1/4-20 X 25 MM (0.984") |   | 23MM | 2,400    | 16    |
| JCBB-FC04-M030-S- | 1/4-20 X 30 MM (1.181") |   | 20MM | 2,000    | 18    |
| JCBB-FC04-M035-S- | 1/4-20 X 35 MM (1.378") |   | 25MM | 1,800    | 20    |
| JCBB-FC04-M040-S- | 1/4-20 X 40 MM (1.575") |   | 30MM | 1,600    | 22    |
| JCBB-FC04-M045-S- | 1/4-20 X 45 MM (1.772") |   | 30MM | 1,500    | 24    |
| JCBB-FC04-M050-S- | 1/4-20 X 50 MM (1.969") |   | 30MM | 1,400    | 26    |
| JCBB-FC04-M060-S- | 1/4-20 X 60 MM (2.362") |   | 40MM | 1,200    | 30    |
| JCBB-FC04-M070-S- | 1/4-20 X 70 MM (2.756") |   | 40MM | 900      | 34    |
| JCBB-FC04-M080-S- | 1/4-20 X 80 MM (3.150") |   | 40MM | 800      | 39    |
| JCBB-FC04-M090-S- | 1/4-20 X 90 MM (3.543") |   | 40MM | 600      | 43    |
| JCBB-FC04-M100-S- | 1/4-20 X 100MM (3.937") |   | 40MM | 500      | 46    |
| JCBB-FC04-M110-S- | 1/4-20 X 110MM (4.331") |   | 40MM | 500      | 51    |
| JCBB-FC04-M120-S- | 1/4-20 X 120MM (4.724") |   | 40MM | 500      | 55    |
| JCBB-FC04-M152-S- | 1/4-20 X 152MM (5.984") |   | 55MM | 400      | 68    |



# TITAN HARDWARE INTERNATIONAL

7711 AMIGOS AVE, SUITE C, DOWNEY, CA 90242  
 LOCAL PH 562-803-1695 FAX 562-803-6605  
 EMAIL SALES@TITANHARDWARE.COM

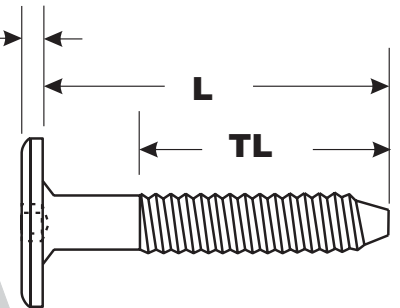
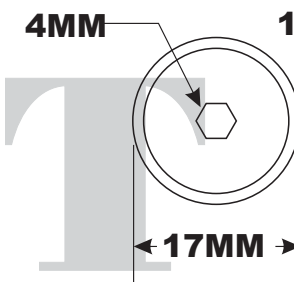
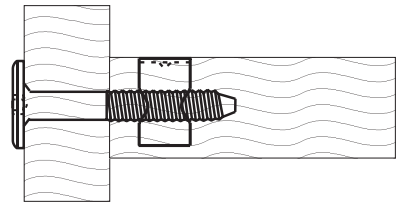
## JC "BB" BOLTS

**MATERIAL = LOW CARBON STEEL**

**AVAILABLE PLATING**

- STAT/BRONZE (SB)
- BLACK OXIDE (BW)
- BRIGHT BRASS (BB)
- ANTIQU BRASS (AB)
- DULL BRASS (DB)
- NICKEL (NI)
- ZINC (CZ)
- PLAIN FINISH (RW)

**PLEASE INCLUDE TWO DIGIT  
 CODE AT END OF PART # TO  
 SPECIFY PLATING.**



**5/16-18 JCBB BOLTS** ARE USED IN APPLICATIONS WHERE HIGHER STRENGTHS ARE REQUIRED  
 THEY HAVE THE SAME HEAD SIZE AS THE 1/4-20 JCBB BOLTS.

| PART NUMBER       | SIZE                     | L | TL   | QTY./CTN | WT./M |
|-------------------|--------------------------|---|------|----------|-------|
| JCBB-FC05-M060-S- | 5/16-18 X 60 MM (2.362") |   | 40MM | 1,000    | 47    |
| JCBB-FC05-M070-S- | 5/16-18 X 70 MM (2.756") |   | 40MM | 800      | 54    |
| JCBB-FC05-M080-S- | 5/16-18 X 80 MM (3.150") |   | 40MM | 600      | 60    |
| JCBB-FC05-M090-S- | 5/16-18 X 90MM (3.543")  |   | 40MM | 500      | 68    |
| JCBB-FC05-M100-S- | 5/16-18 X 100MM (3.937") |   | 40MM | 400      | 76    |



# TITAN HARDWARE INTERNATIONAL

7711 AMIGOS AVE, SUITE C, DOWNEY, CA 90242  
 LOCAL PH 562-803-1695 FAX 562-803-6605  
 EMAIL SALES@TITANHARDWARE.COM

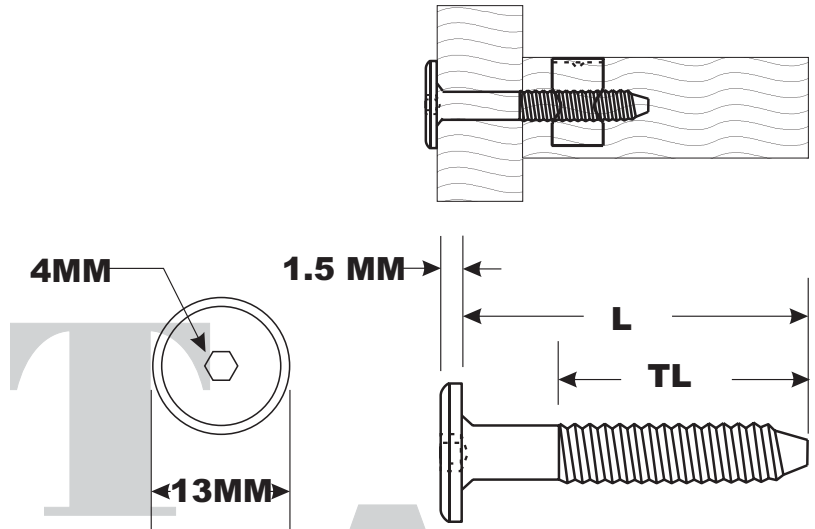
## JC "BC" BOLTS

**MATERIAL = LOW CARBON STEEL**

**AVAILABLE PLATING**

- STAT/BRONZE (SB)
- BLACK OXIDE (BW)
- BRIGHT BRASS (BB)
- ANTIQUUE BRASS (AB)
- DULL BRASS (DB)
- NICKEL (NI)
- ZINC (CZ)
- PLAIN FINISH (RW)

**PLEASE INCLUDE TWO DIGIT  
 CODE AT END OF PART # TO  
 SPECIFY PLATING.**



**JCBC BOLTS** ARE A LOW PROFILE HIGH QUALITY DECORATIVE FASTENER. USED IN APPLICATIONS THAT REQUIRED A LESS VISIBLE HEAD THAN THE JCBC BOLTS.

| PART NUMBER       | SIZE            | L        | TL   | QTY./CTN | WT./M |
|-------------------|-----------------|----------|------|----------|-------|
| JCBC-FC04-M030-S- | 1/4-20 X 30 MM  | (1.181") | 20MM | 2,000    | 27    |
| JCBC-FC04-M035-S- | 1/4-20 X 35 MM  | (1.378") | 30MM | 1,800    | 32    |
| JCBC-FC04-M040-S- | 1/4-20 X 40 MM  | (1.575") | 30MM | 1,600    | 36    |
| JCBC-FC04-M045-S- | 1/4-20 X 45 MM  | (1.772") | 30MM | 1,500    | 40    |
| JCBC-FC04-M050-S- | 1/4-20 X 50 MM  | (1.969") | 30MM | 1,400    | 23    |
| JCBC-FC04-M060-S- | 1/4-20 X 60 MM  | (2.362") | 40MM | 1,200    | 27    |
| JCBC-FC04-M070-S- | 1/4-20 X 70 MM  | (2.756") | 40MM | 1,000    | 32    |
| JCBC-FC04-M080-S- | 1/4-20 X 80 MM  | (3.150") | 40MM | 900      | 36    |
| JCBC-FC04-M090-S- | 1/4-20 X 90 MM  | (3.543") | 40MM | 700      | 40    |
| JCBC-FC04-M100-S- | 1/4-20 X 100 MM | (3.937") | 40MM | 600      | 45    |
| JCBC-FC04-M110-S- | 1/4-20 X 110 MM | (4.331") | 40MM | 600      | 48    |
| JCBC-FC04-M120-S- | 1/4-20 X 120 MM | (4.724") | 40MM | 500      | 52    |



# TITAN HARDWARE INTERNATIONAL

7711 AMIGOS AVE, SUITE C, DOWNEY, CA 90242  
 LOCAL PH 562-803-1695 FAX 562-803-6605  
 EMAIL SALES@TITANHARDWARE.COM

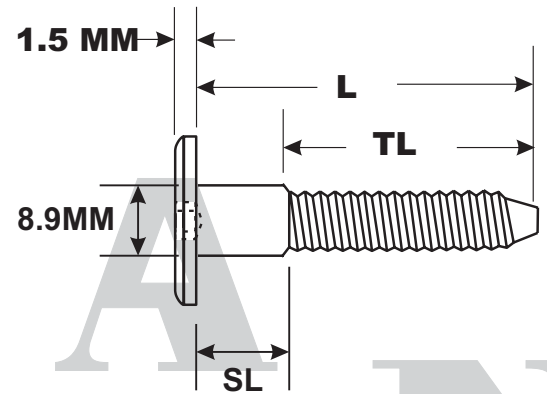
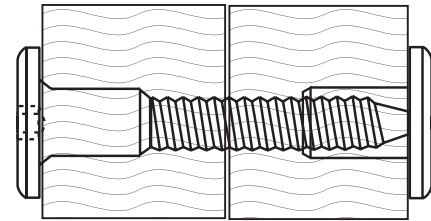
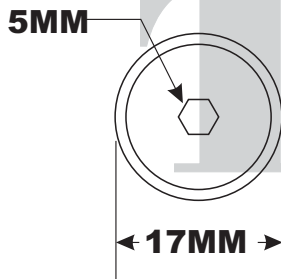
## JC "BA" BOLTS

**MATERIAL = LOW CARBON STEEL**

**AVAILABLE PLATING**

- STAT/BRONZE (SB)
- BLACK OXIDE (BW)
- BRIGHT BRASS (BB)
- ANTIQUÉ BRASS (AB)
- DULL BRASS (DB)
- NICKEL (NI)
- ZINC (CZ)
- PLAIN FINISH (RW)

**PLEASE INCLUDE TWO DIGIT  
 CODE AT END OF PART # TO  
 SPECIFY PLATING.**



**JCBA BOLTS** ARE A LOW PROFILE HIGH QUALITY DECORATIVE FASTENER. USED IN APPLICATIONS WHERE SHOULDER IS NEEDED THE SHOULDER DIAMETER IS THE SAME AS ON THE JCB CAP NUT.

| PART NUMBER       | SIZE                    | L | TL   | SL   | QTY/CTN | WT/M |
|-------------------|-------------------------|---|------|------|---------|------|
| JCBA-FC04-M023-S- | 1/4-20 X 23 MM (0.906") |   | 13MM | 10MM | 2,400   | 23   |
| JCBA-FC04-M030-S- | 1/4-20 X 30 MM (1.181") |   | 20MM | 10MM | 2,400   | 25   |
| JCBA-FC04-M035-S- | 1/4-20 X 35 MM (1.378") |   | 25MM | 10MM | 2,000   | 27   |
| JCBA-FC04-M040-S- | 1/4-20 X 40 MM (1.575") |   | 30MM | 10MM | 1,800   | 29   |
| JCBA-FC04-M045-S- | 1/4-20 X 45 MM (1.772") |   | 35MM | 10MM | 1,200   | 33   |
| JCBA-FC04-M050-S- | 1/4-20 X 50 MM (1.969") |   | 40MM | 18MM | 1,200   | 39   |
| JCBA-FC04-M060-S- | 1/4-20 X 60 MM (2.362") |   | 35MM | 18MM | 1,000   | 41   |
| JCBA-FC04-M070-S- | 1/4-20 X 70 MM (2.756") |   | 35MM | 18MM | 900     | 46   |
| JCBA-FC04-M080-S- | 1/4-20 X 80 MM (3.150") |   | 35MM | 18MM | 750     | 51   |
| JCBA-FC04-M090-S- | 1/4-20 X 90 MM (3.543") |   | 35MM | 18MM | 600     | 54   |
| JCBA-FC04-M100-S- | 1/4-20 X 100MM (3.937") |   | 35MM | 18MM | 600     | 57   |