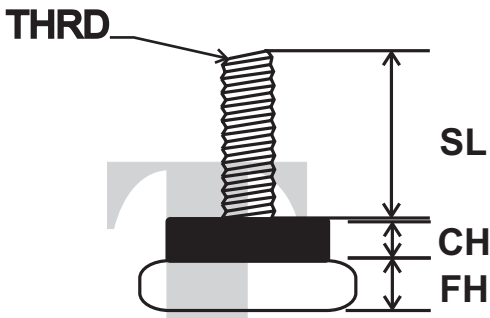
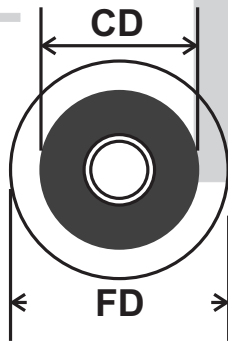




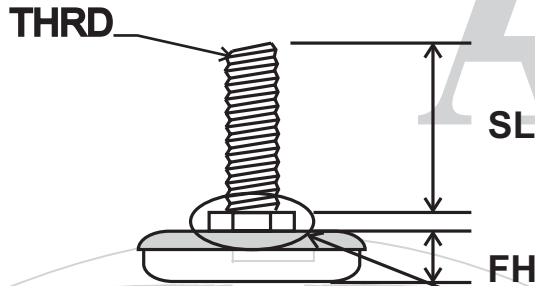
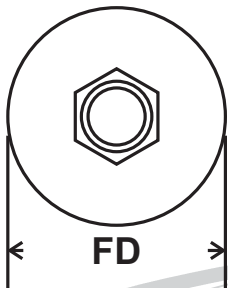
TITAN

HARDWARE INTERNATIONAL
 7711 AMIGOS AVE, SUITE C, DOWNEY, CA 90242
 LOCAL PH 562-803-1695 FAX 562-803-6605
 EMAIL SALES@TITANHARDWARE.COM

ADJUSTABLE GLIDES



TYPE "GACM"
CUSHIONED
ADJUSTABLE
METAL GLIDE



TYPE "GAMP"
ADJUSTABLE
PLASTIC GLIDE
W/METAL CAP

HEX NOT ALWAYS AVAILABLE

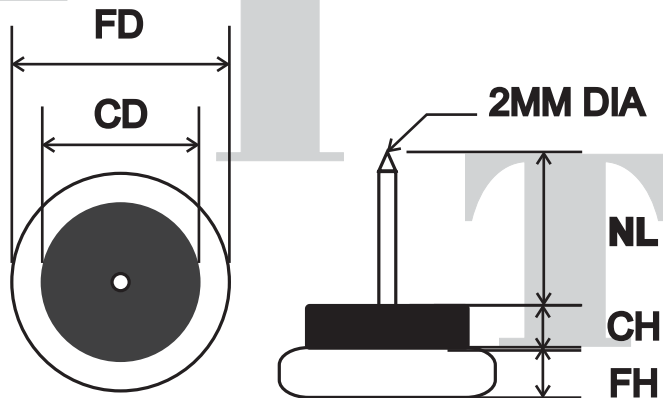
PART NUMBER	DISCRIPTION	THRD X SL	FD	CD	CH	FH	CTN/QTY	LBS/M
GACM-FC04-16-NI	1/4-20 X 1"		7/8"	5/8"	1/4"	13/64"	1,500	32
GACM-FC05-16-NI	5/16-18 X 1"		1 1/8"	7/8"	13/64"	1/4"	1,000	46
GAMP-FC04-16-NI	1/4-20 X 1"		1 1/8"	N/A	N/A	.335	1,500	27

PLEASE NOTE OTHER SIZES AVAILABLE UPON REQUEST. PLEASE FEEL FREE TO INQUIRE.

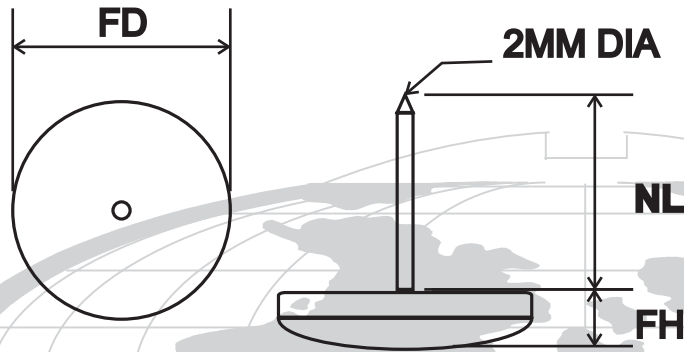


TITAN
HARDWARE INTERNATIONAL
 7711 AMIGOS AVE, SUITE C, DOWNEY, CA 90242
 LOCAL PH 562-803-1695 FAX 562-803-6605
 EMAIL SALES@TITANHARDWARE.COM

TITAN NAIL-IN GLIDES



**TYPE "GNCM"
 CUSHIONED METAL
 NAIL-IN GLIDE**



**TYPE "GNRO"
 PLASTIC ROUND
 NAIL-IN GLIDE**

PART NUMBER	DISCRIPTION	FD X NL	CD	CH	FH	CTN/QTY	LBS/M
GN-F14-04-10-P-BR	7/8 DIA X 3/4 NAIL	7/8" X 3/4"	7/8"	5/8"	1/4"	1,000	21
GNRO-F12-03-11-P-BR	7/8 DIA X 5/8 NAIL	7/8" X 5/8"	N/A	7/8"	13/64"	1,000	5

PLEASE NOTE OTHER SIZES AVAILABLE UPON REQUEST. PLEASE FEEL FREE TO INQUIRE.

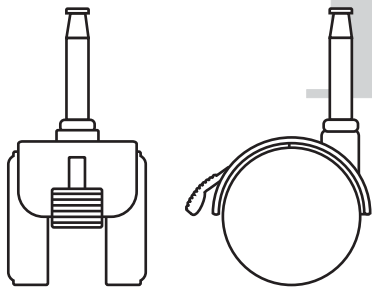


TITAN HARDWARE INTERNATIONAL

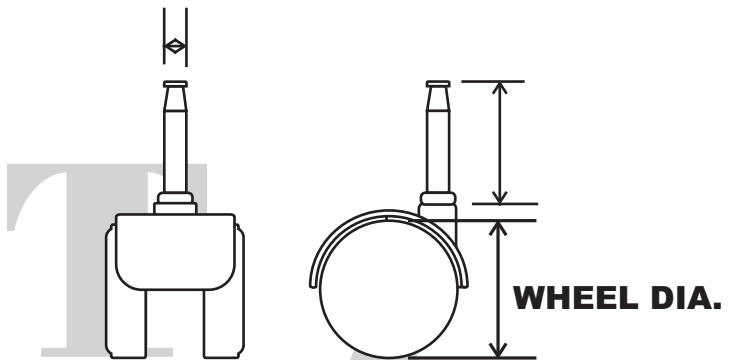
7711 AMIGOS AVE, SUITE C, DOWNEY, CA 90242
 LOCAL PH 562-803-1695 FAX 562-803-6605
 EMAIL SALES@TITANHARDWARE.COM

CASTERS WITH SOCKET PIN

WITH BRAKE



WITHOUT BRAKE



SOCKET PIN CASTERS ARE THE MOST ECONOMICAL AND EASIEST TO INSTALL. JUST USE THEM IN CONJUNCTION WITH OUR PLASTIC OR METAL KNOCK-IN SOCKETS, AND YOU ARE READY TO GO.

PART NUMBER	WHEEL DIA.	QTY./CTN	WT./M
NEW SIZES COMING SOON			

07/25/02

TOLL FREE PH 1-888-551-0456 FAX 1-888-551-0454

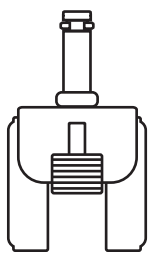
008-003

WWW.TITANHARDWARE.COM

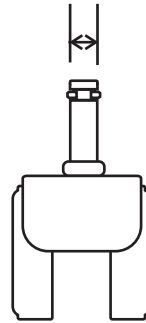
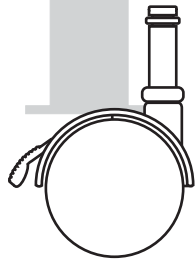


TITAN
HARDWARE INTERNATIONAL
7711 AMIGOS AVE, SUITE C, DOWNEY, CA 90242
LOCAL PH 562-803-1695 FAX 562-803-6605
EMAIL SALES@TITANHARDWARE.COM

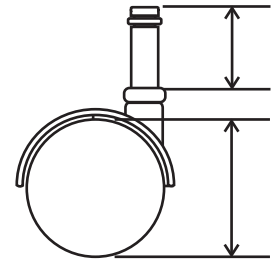
CASTERS WITH GRIP RING



WITH BRAKE



WITHOUT BRAKE



GRIP RING CASTERS ARE MAINLY USED IN OFFICE CHAIR BASES. THEY OFFER EASY INSTALLATION AND EASY REPLACEMENT.

PART NUMBER

WHEEL DIA.

QTY./CTN

WT./M

NEW SIZES COMING SOON

07/25/02

TOLL FREE PH 1-888-551-0456 FAX 1-888-551-0454

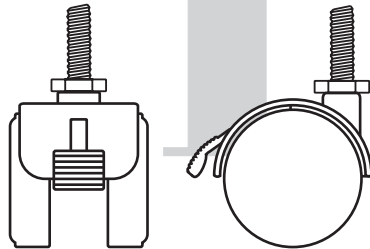
008-004

WWW.TITANHARDWARE.COM

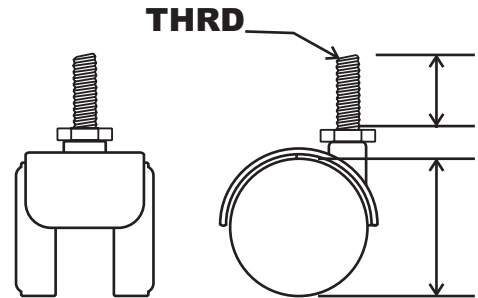


TITAN
HARDWARE INTERNATIONAL
7711 AMIGOS AVE, SUITE C, DOWNEY, CA 90242
LOCAL PH 562-803-1695 FAX 562-803-6605
EMAIL SALES@TITANHARDWARE.COM

CASTERS W/STD



WITH BRAKE



WITHOUT BRAKE

THREADED STUD CASTERS OFFER THE FUNCTIONALITY OF BEING ADJUSTABLE AND WHEN INSTALLED INTO ONE OF OUR MANY TYPES OF INSERTS, THEY OFFER A SECURE, WORRY FREE INSTALLATION.

PART NUMBER	WHEEL DIA.	THR.	STD. LNTH.	QTY./CTN	WT./M
-------------	------------	------	------------	----------	-------

NEW SIZES COMING SOON

07/25/02

TOLL FREE PH 1-888-551-0456 FAX 1-888-551-0454

008-005

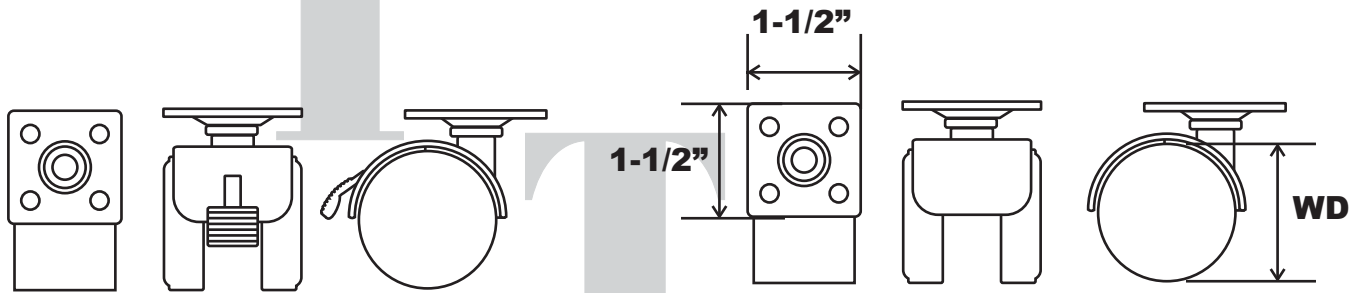
WWW.TITANHARDWARE.COM



TITAN
HARDWARE INTERNATIONAL
7711 AMIGOS AVE, SUITE C, DOWNEY, CA 90242
LOCAL PH 562-803-1695 FAX 562-803-6605
EMAIL SALES@TITANHARDWARE.COM

CASTERS

SQUARE PLATE



WITH BRAKE

WITHOUT BRAKE

SQUARE PLATE CASTORS OFFER INSERT-FREE AND SOCKET-FREE INSTALLATION THEY ARE PERFECTLY SUITED FOR FLAT BOTTOM APPLICATIONS.

PART NUMBER	WD	QTY./CTN	WT./M
NEW SIZES COMING SOON			

07/25/02

TOLL FREE PH 1-888-551-0456 FAX 1-888-551-0454

008-006

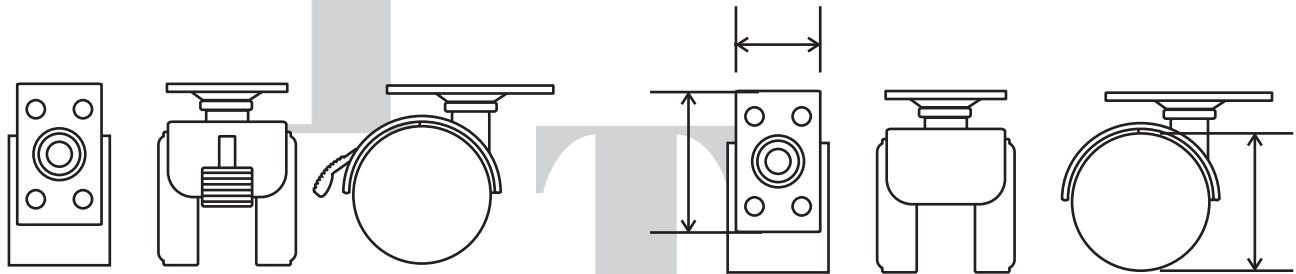
WWW.TITANHARDWARE.COM



TITAN
HARDWARE INTERNATIONAL
 7711 AMIGOS AVE, SUITE C, DOWNEY, CA 90242
 LOCAL PH 562-803-1695 FAX 562-803-6605
 EMAIL SALES@TITANHARDWARE.COM

CASTERS

RECTANGULAR PLATE



WITH BRAKE

WITHOUT BRAKE

RECTANGULAR PLATE CASTERS OFFER INSERT-FREE AND SOCKET-FREE INSTALLATION THEY ARE PERFECTLY SUITED FOR FLAT BOTTOM APPLICATIONS WHERE SPACE IS LIMITED.

PART NUMBER	WHEEL DIA.	QTY./CTN	WT./M
NEW SIZES COMING SOON			

07/25/02

TOLL FREE PH 1-888-551-0456 FAX 1-888-551-0454

008-007

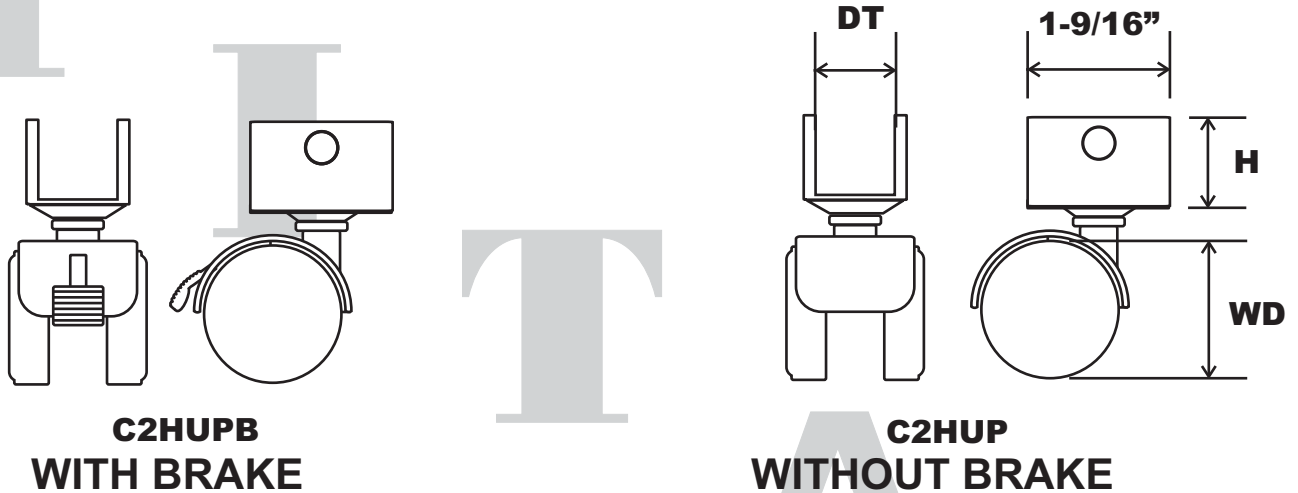
WWW.TITANHARDWARE.COM



TITAN
HARDWARE INTERNATIONAL
 7711 AMIGOS AVE, SUITE C, DOWNEY, CA 90242
 LOCAL PH 562-803-1695 FAX 562-803-6605
 EMAIL SALES@TITANHARDWARE.COM

CASTERS

U-PLATE



U-PLATE CASTORS ARE USED ON END GRAIN APPLICATIONS SUCH AS DOORS.

PART NUMBER	WT	DT	H	QTY./CTN	WT./M
C2HUP-M40-F10-P-B	40 MM	5/8"	1-7/16"	200	
C2HUPB-M40-F10-P-B	40 MM	5/8"	1-7/16"	200	
C2HUP-M40-F12-P-B	40 MM	3/4"	1-9/16"	200	
C2HUPB-M40-F12-P-B	40 MM	3/4"	1-9/16"	200	
C2HUPB-M50-F10-P-B	50 MM	5/8"	1-7/16"	200	
C2HUP-M50-F10-P-B	50 MM	5/8"	1-7/16"	200	
C2HUPB-M50-F12-P-B	50 MM	3/4"	1-9/16"	200	
C2HUPB-M50-F12-P-B	50 MM	3/4"	1-9/16"	200	
C2HUP-M60-F10-P-B	60 MM	5/8"	1-7/16"	200	
C2HUPB-M60-F10-P-B	60 MM	5/8"	1-7/16"	200	
C2HUP-M60-F12-P-B	60 MM	3/4"	1-9/16"	200	
C2HUPB-M60-F12-P-B	60 MM	3/4"	1-9/16"	200	

07/25/02

TOLL FREE PH 1-888-551-0456 FAX 1-888-551-0454

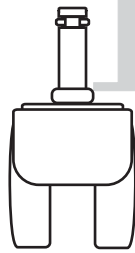
008-008

WWW.TITANHARDWARE.COM

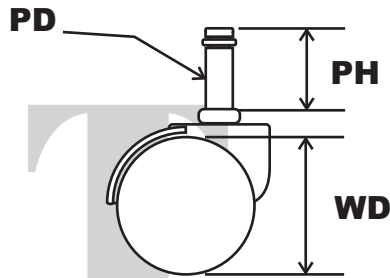


TITAN
HARDWARE INTERNATIONAL
 7711 AMIGOS AVE, SUITE C, DOWNEY, CA 90242
 LOCAL PH 562-803-1695 FAX 562-803-6605
 EMAIL SALES@TITANHARDWARE.COM

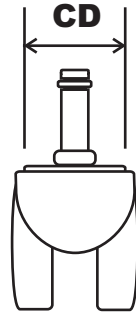
EUROPEAN STYLE CUP CASTERS



FRONT



SIDE



BACK

EUROPEAN STYLE CUP CASTERS OFFER A MORE SOPHISTICATED LOOK WHILE BEING ECONOMICAL AND EASY TO INSTALL.

PART NUMBER	WD	CD	PH	PD	QTY./CTN	WT./M
<p>NEW SIZES COMING SOON</p>						

07/25/02

TOLL FREE PH 1-888-551-0456 FAX 1-888-551-0454

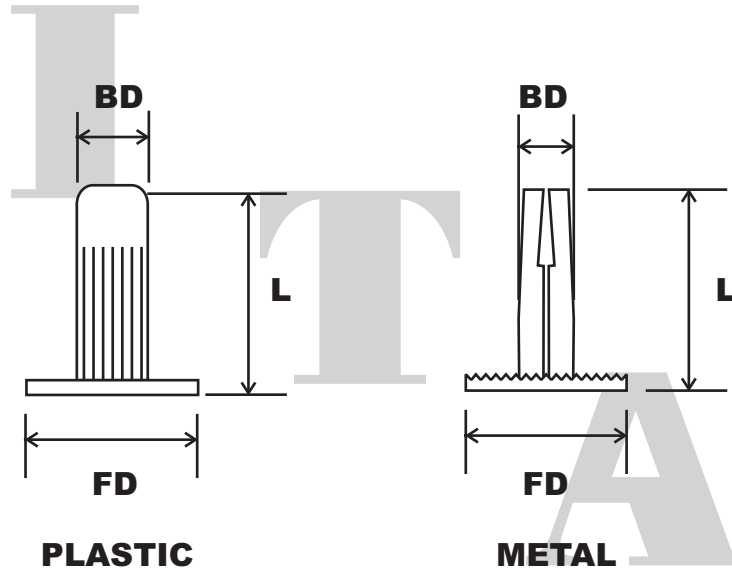
008-009

WWW.TITANHARDWARE.COM



TITAN
HARDWARE INTERNATIONAL
 7711 AMIGOS AVE, SUITE C, DOWNEY, CA 90242
 LOCAL PH 562-803-1695 FAX 562-803-6605
 EMAIL SALES@TITANHARDWARE.COM

SOCKETS FOR SOCKET PIN CASTERS



5/16" SOCKET INSERTS ARE USED IN CONJUNCTION WITH SOCKET PIN CASTERS.

PART NUMBER	BD	FD	L	QTY./CT	WT./M
CIS-F05-20-S-Z	5/16"	3/4"	1-1/4"	500	11
CIS-F05-30-P-BR	7/16"	5/16"	1-11/16"	1M	5

09/02/02

TOLL FREE PH 1-888-551-0456 FAX 1-888-551-0454
WWW.TITANHARDWARE.COM

008-010