



# TITAN HARDWARE INTERNATIONAL

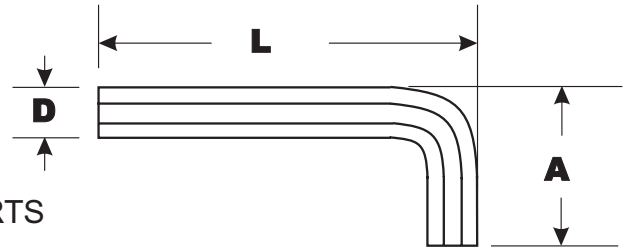
7711 AMIGOS AVE, SUITE C, DOWNEY, CA 90242  
LOCAL PH 562-803-1695 FAX 562-803-6605  
EMAIL SALES@TITANHARDWARE.COM

## HEX KEYS

**MATERIAL = ALLOY STEEL**

**COLOR = BLACK**

**HEX KEYS ARE USED IN INSTALLING  
JCB BOLTS AND NUTS AS WELL AS THE INSERTS**



PART NUMBER	D	L	A	QUANTITY PER CTN	WEIGHT PER M
KHS-M04-M20-8-BO	M4	60MM	20MM	4,000	17.3 LBS
KHS-M05-M24-8-BO	M5	64MM	24MM	3,000	24 LBS

## HEX DRIVERS

**MATERIAL = ALLOY STEEL**

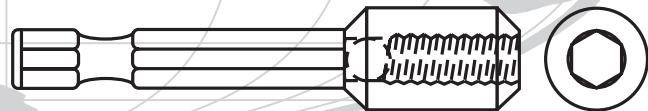


**HEX DRIVER BITS ARE THE PERFECT TOOL WHEN HIGH VOLUME,  
SPEEDY ASSEMBLY IS A MUST.**

PART NUMBER	D	L	QUANTITY PER CTN	WEIGHT PER C
DRVP-M04HX-30-S-RW	M4	1 7/8"	100 PCS	2.3 LBS
DRVP-M05HX-30-S-RW	M5	1 7/8"	100 PCS	2.4 LBS
DRVP-M06HX-30-S-RW	M6	1 7/8"	100 PCS	2.8 LBS
DRVP-M08HX-30-S-RW	M8	1 7/8"	100 PCS	4.0 LBS

## HANGER BOLT & STUD DRIVERS

**MATERIAL = ALLOY STEEL**



**STUD DRIVERS WHEN FAST AND STRAIGHT INSTALLATION OF HANGER BOLTS ARE  
REQUIRED. STUD DRIVERS ARE A MUST, REGARDLESS OF VOLUME.**

PART NUMBER	FOR STUD SIZE	L	QUANTITY PER CTN	WEIGHT PER C
DRVP-F04-HBS-S-RW	1/4-20	1 3/4"	10 PCS	LBS
DRVP-F05-HBS-S-RW	5/16-18	1 3/4"	10 PCS	LBS
DRVP-F06-28-HBS-S-RW	3/8-16	1 3/4"	10 PCS	LBS

7/25/01

**TOLL FREE PH 1-888-551-0456 FAX 1-888-551-0454**

**WWW.TITANHARDWARE.COM**

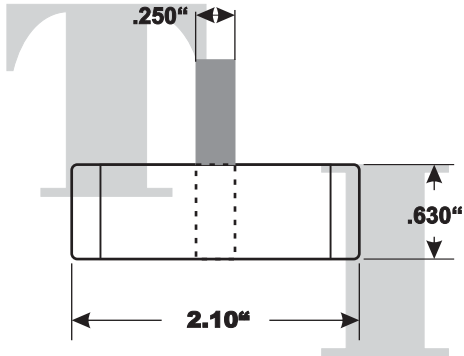
**009-001**



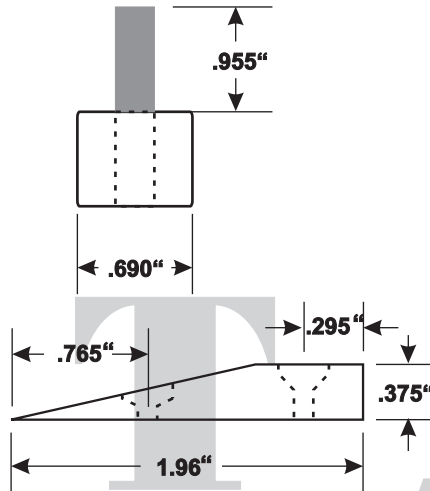
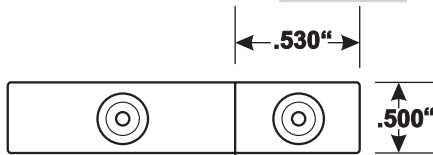
# TITAN HARDWARE INTERNATIONAL

7711 AMIGOS AVE, SUITE C, DOWNEY, CA 90242  
 LOCAL PH 562-803-1695 FAX 562-803-6605  
 EMAIL SALES@TITANHARDWARE.COM

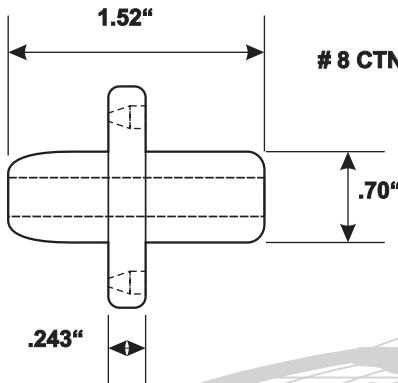
## PLASTICS



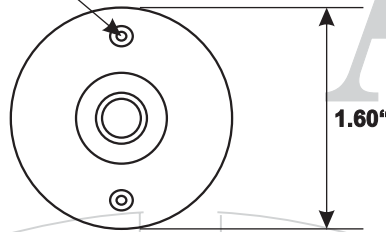
**CARRIAGE BLOCK**  
 PART NUMBER FCB-F32-.69-N-N



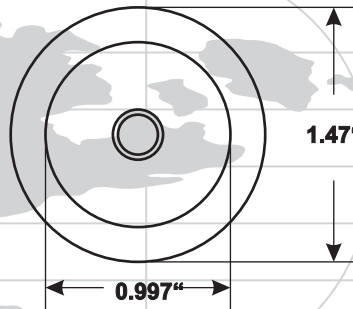
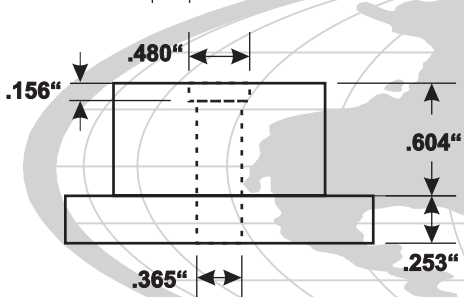
**RAMP BUMPER**  
 PART NUMBER FB-F032-08-06-N-B



# 8 CTNSK



**FLANGED ROLLER PLUG**  
 PART NUMBER FRP-F12-P



**ROLLER BUSHING**  
 PART NUMBER FR-F016-024-N

PART NUMBER	DISCRIPTION	CTN. QTY.	LBS/M
FCB-F32-.69-N-N	CARRIAGE BLOCK	1,000	41 LBS
FB-F032-08-06-N-B	RAMP BUMPER	5,000	6.5 LBS
FRP-F12-P	FLANGED ROLLER PLUG	650	38 LBS
FRB-F16-008-N-N	ROLLER BUSHING	1,000	36 LBS



# TITAN HARDWARE INTERNATIONAL

7711 AMIGOS AVE, SUITE C, DOWNEY, CA 90242  
LOCAL PH 562-803-1695 FAX 562-803-6605  
EMAIL SALES@TITANHARDWARE.COM

## PLASTIC CAPS

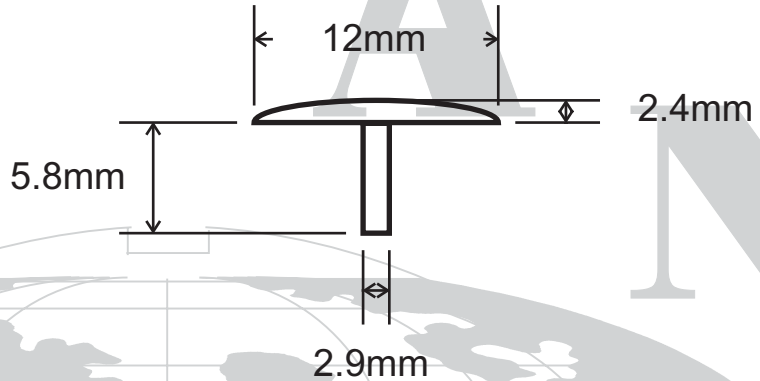
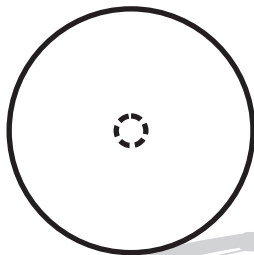
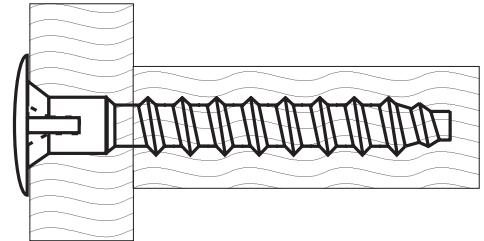
FOR CONNECTING SCREWS



### AVAILABLE COLORS

- WHITE (WH)
- BROWN (BR)
- BLACK (BK)
- ALMOND (AL)
- GREY (GY)

PLEASE INCLUDE TWO DIGIT  
CODE AT END OF PART # TO  
SPECIFY COLOR.



PART NUMBER	DISCRIPTION	CTN. QTY.	LBS/M
CPCS-M7-P-##	PLASTIC CAP	20,000	LBS

TM